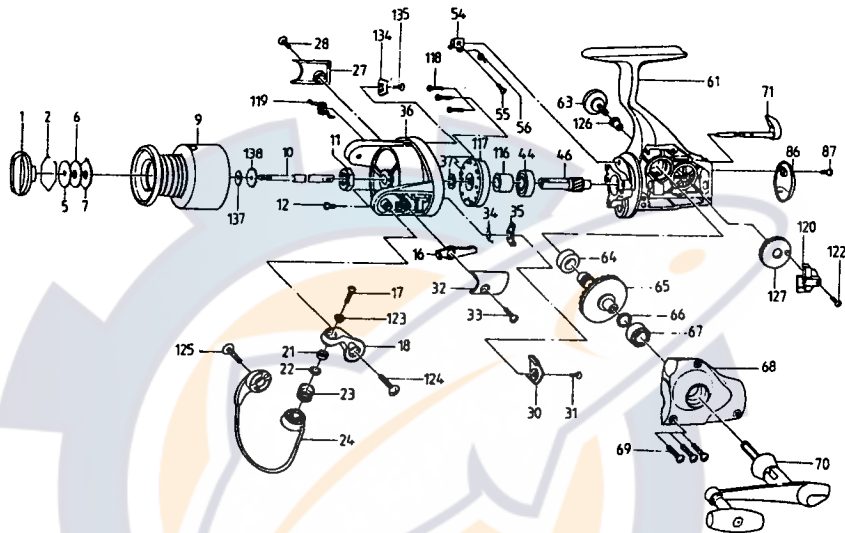




"An American Family Tradition"
SPINNING REEL

CORONA C430A



Key No.	Parts No.	Parts Name.	Key No.	Parts No.	Parts Name.
1	6K385325	Drag knob assembly	55	6AK21803	Anti-reverse cam screw
2	61717701	Drag washer retainer	56	6K384301	Anti-reverse cam spring
5	6K141504	Eared washer	61	6K3580K9	Body
6	6K426401	Drag washer	63	6K322803	Handle lock screw
7	63733605	Key washer	64	6K361301	Bearing
9	6K385121	Spool assembly	65	6K501404	Drive gear
10	6K385001	Main shaft	66	637378K1	Drive gear washer
11	6B879401	Rotor nut	67	6K582202	Bail bearing
12	6K532501	Rotor nut holding screw	68	6K358220	Side cover
16	6K360701	Bail trip lever A	69	6B835002	Side cover screw
17	6B879302	Bail screw	70	6K685001	Handle assembly
18	6K331303	Bail arm	71	6K380004	Anti-reverse lever
21	6K626402	Bail bearing	86	6K409901	Rear cover
22	6K161801	Line roller washer	87	6K184801	Rear cover screw
23	6K377403	Line roller	116	6K339401	Bush
24	6K391402	Bail assembly	117	6K346201	One way clutch assembly
27	6K359703	Bail spring cover A	118	6K384301	One way clutch screw
28	6K120002	Bail spring cover screw A	119	6K025602	Bail trip spring
30	6K359803	Bail spring cover B	120	6K383401	Oscillating slider
31	6K120002	Bail spring cover screw B	122	63510311	Oscillating slider screw
32	6K359616	Bail trip lever cover	123	61608701	Line roller lock washer
33	6K120002	Bail trip lever cover screw	124	6B842102	Bail arm screw
34	6K364401	Bail spring	125	6B842102	Bail trip cam screw
35	6K360801	Bail trip lever B	126	6K660601	Handle lock washer
36	6K358303	Rotor	127	6K565101	Oscillating gear
37	63758503	Bush washer	134	6K391201	Balancer
44	6K140102	Bail bearing	135	6K532501	Balancer screw
46	6K384201	Pinion	137	6K148701	Spool washer
54	6K338901	Anti-reverse cam	138	6K144601	Click gear

6KX909010

PRINTED IN KOREA

SOUTH BEND SPORTING GOODS
1950 Stanley street, Northbrook, Illinois 60065
847/715/1433 Fax 847/715/1411 Toll Free 800/622/9662